

APRIL, 1974
SOUTHWEST COUNCIL OF SKIN DIVING CLUBS



Membership into this Council

Send the following to:

Mr. Hank Silver, 634 S. Central Expressway, Richardson, Texas 75080

1. Copy of Clubs' constitution and/or Bylaws.
2. Membership list of club including names, addresses, & designated officers.
3. Membership fee (\$10.00 for the club and \$4.00 per individual).

Membership in the Council is from January 1st thru December 31st, at which time dues become due, however, there is a grace period of 3 months, being till March 31st, at which time they expire. Dues may be paid in December of the previous year and will be good for the insuing year if the membership is not used for any council activity before January 1st.

Subscription to the "Southwest Slate"

Subscription is free to members of the council, to non-members is 40¢ per copy or \$3.50 per year. Mail subscriptions to Dick Wilgus, Editor, Southwest Slate, 804 N. High St., Longview, Texas 75601.

Information about the Council

Anyone wishing information about the council, its activities, etc., should send inquiries to the Public Relations Office, Mr. Matt Wiley (Rt. 9, Box 152B, Ft. Worth, Texas 76179) or the President whose address is listed above.

NEWSLETTER

The Southwest Slate is the official voice of the Southwest Council of Diving Clubs and is published monthly. Articles in the "Slate" may be reproduced in full or part (unless otherwise specified) as long as credit is given to the "Slate" and authors of the articles.

"NOTICE"

Articles and pictures for publication in the "Slate" must be in by the 20th of each month as the publication date will be approximately the 1st of each month. Send all material to "Slate", 804 N. High, Longview, Texas 75601.

Dick Wilgus - Managing Editor
Horst Seeger - Asst. Editor
Judy Crouch - Staff Writer
Dee Shappell - Circulation
Glen Sheridan - Art Editor

STAFF

Larry Henderson Edd Long
Jack Elliott A. E. Blood
Dennis Fogarty Weasel Wood
Earnie Grider Peggy Wilgus

PRESIDENT'S PAGE

Page 2

Since last we visited, via this page, much water has gone over the dam. April and May are traditionally very busy months in boating, diving and trying to have fun.

The Texins dive was well attended and the weather was super (during the day). Big congratulations are going out to Tommy Jordan for his 27 lb. Buffalo! In my memory, the biggest fish taken during one of SWC's Spring dives. I recall a 30-odd lb. Gar by Bob Ovary several years ago. The Texins put forth a lot of effort and deserve a pat on their respective backs for the facilities and the hospitality.

I stayed in Austin Monday and Tuesday to talk to the Game & Fish people. Our plans now stand this way: With the approval of the Commission, we will have two survey dives at Lake Whitney. One on September 8th and another on October 6th. These dives will pit our divers and the Game & Fish Department divers against the fish. We will harvest by spear gun any fish the diver wishes to shoot, be it rough, trash, or game fish. A creel census will be made and subject to several such survey dives the Department's findings will recommend to the Commission the allowable harvest of game fish species by spearfishermen.

This sounds simple, but keep in mind we need approval by the Commission just to hold the survey dives on those dates, plus others. They must suspend the rules for those days at one of their regular monthly meetings. This request must be added to their agenda, and the first meeting to which this request can be made on the agenda is June's meeting.

We will have either encouraging news then or a possible end to our crusade.

I am also pursuing a policy of giving information to SCOT for their assistance in our cause.

Our plea to the EPA for a cessation to dumping of waste in the Gulf has been heard by folks Nationally. I have received a note from Bill Barada, the well known Environmental Editor of "Skin Diver" magazine. He is interested in getting more data about the Gulf and our hope is that "The Rape of the Gulf" will receive National attention and Washington action

I am so pleased that our Council has a fine voice in the "Slate". People read it Nationally and learn of our Regional Diving activities. I urge you to pass the good word? write articles for "Slate"? get ads to support it financially? and get new divers for the Council.

I mention this serious note, take heed. During Spearfishing Tournaments, it is mandatory to wear a vest. If I enforced this rule most of the competitors would be disqualified. We are going to enforce the safety rules henceforth!

PRESIDENT'S PAGE (Con't)

Any diver not wearing his or her vest while under will be summarily disqualified from the competition. All we need are a few violators to get the point to the rest. Don't be one of the first or last. Better still, don't be dead or hurt. I'll be in my boat checking for vests at the Lawton Divers dive and the Orca Tamers dive. "A Word to the Wise."

HANK



DIVE SHOP

ARDMORE, OKLAHOMA

Oklahoma Divers Supply

#12 ARDMORE MALL
(EAST SIDE)
OLD HWY. 77 N. IN ARDMORE

COMPLETE LINE OF RENTAL
EQUIPMENT TO CERTIFIED DIVERS
OPEN 6 DAYS A WEEK

OPEN SUN. - June-July-Aug- 1 to 6 P.M.



We will open anytime
you call us.
Shop Ph# 223-1032
Home Ph# 223-1080

TRIPS

Everywhere - Come Dive Lake Murray

NAUI

NASDS

YMCA



EDITORIAL

Page 4

When Glen Sheridan brought me the art work for the cover I wasn't sure if it would be suitable for this issue - but it sure is. Only TWO V.P. REPORTS and one of them was written for last month but was too late. What's wrong - diving activity is really rolling still no V.P. Reports??? I'll be damned if I'm going to continue to put hours and hours of my time to keep the mailing list up - gather filler material, cartoons, etc., spend a whole evening and afternoon stapling, folding and then delivering this mass of paper to the post office, not to mention a half dozen trips to the printers plus letters and bill to advertisers just so Hank can let everyone know how the spearfishing law is progressing. That is about all it amounts to anymore. The Vice Presidents won't report and if they do it isn't on time, here it is two weeks past the Texins dive and no point standings. Haven't had a Treasurer's Report in two months. So if no one else is going to put themselves out, why should I! Then there's the membership - hundreds of you reading this and not one of you ever bother to send in an article on a dive trip - no pictures - NOTHING. Do you care?? Maybe everybody just likes to hear me bitch - well if some of you don't get off your duff and send in some information the Voice of the Council is going to be silent.

Right now is the time - V.P.'s, Exec. V.P., Secretary, Treasurer, Members - send something now - so we can get the June issue out before July.

Notice the letter to the Editor - Clubs hosting Council dives be aware - also it doesn't seem that details of the dives are being advertised as called for in the By-Laws.

We are going to delete address correction requested off our mailing starting next month so henceforth if you want your newsletter forwarded you must send in a change of address with the 5-digit code number on the existing label, or the old label with the new address.

LET'S HEAR FROM YOU!

DICK

LETTERS TO THE EDITOR

In reply to Hanks comments regarding participation in Scuba skills; I attended the first two dives (I did not enter any contest). However, in those dives no one knew what to expect. No Slate print-out of schedule of events, nor no posting, that we found, of what to expect.

Looks like TEXINS did a good job in their print-out for dive at Travis (which I had to miss).

Encourage all sponsoring clubs to do as Texins did.

Regards,

Jack Stafford, AA Aqua Jets



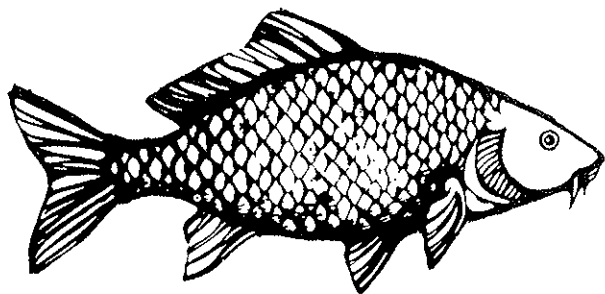
Coast Guard Notes

Now is the time for boaters to prepare for a safe 1974 boating season. Here are some tips from the Coast Guard's Office of Boating Safety.

EXAMINE YOUR CRAFT. Make any needed repairs. Check for any hull damage and inspect your fuel system, electrical system and ventilation system.

EXAMINE YOUR EQUIPMENT. Make sure that you have all equipment required by the U.S. Coast Guard. In particular, check your Personal Flotation Devices and Fire Extinguishers. They must be the appropriate type, depending on the length of your boat, and they must be free from any defects.

EXAMINE YOURSELF. Are you totally familiar with all aspects of small craft seamanship? Do you know how to cope with any emergency situation that might arise? If not, now is the time to take a boating course from the U.S. Coast Guard Auxiliary.



DANGEROUS LEGISLATION

A TAX ON DIVE GEAR

A bill has been introduced in the U.S. House of Representatives by Dingell et al as H.R. 11016, to provide a Fish Restoration Fund by putting a 10% tax on the sale of sport fishing and **underwater swimming equipment**. The equipment covered is defined as:

"(A) of any article of sport fishing equipment; and

(B) of any article of underwater sport swimming equipment, including, but not limited to, wet suits, underwater face masks, snorkels, swimming fins, air tanks, air tank regulators, and spear guns . . ."

It is questionable whether this bill has any merit, but even if it does, the tax seems most unjust and discriminatory since it proposes to tax **all** skin and scuba gear, not just spears and spear guns! This equates all divers with fish taking, which is just not so. It would tax practically everything in your dive shop.

It is proposed that the tax be imposed at the manufacturer's level, but, of course, the costs will get passed on to the dealer, and through him to the consumer.

We urge you to write your Representatives and Senators and urge that this bill be killed, or at least amended to limit the 10% tax only to spearguns, fish spears, and those articles of underwater equipment related solely and directly to the taking of fish.

Write Today

SCHEDULE of EVENTS

<u>DATE</u>	<u>SPONSOR</u>	<u>EVENT</u>	<u>LOCATION</u>
June 15-16	Arkansas Scuba	3rd Annual U.S. Freshwater Spearfishing Championships	Chrystal Spgs., Boat Dock, Lake Ouachita
June 15-16	Tinker Divers	Contest	Texhoma, Caney Creek Area
*June 29-30	Orca Tamers	Contest	Lake Whitney
June 29-30	Hydronauts	Contest	To be announced
July 13-14	Tinkiller	24 hour Marathon	
*July 20-21	Aqua Jets	Contest	Buzzards Roost, Lake Murray
August 3-4	Imperials	Contest	To be announced
August 17-18	Blue Gills	Contest	Eufaula, Porum Landing
August 31- Sept. 1	Thunderbirds	Contest	Grand Lake, Disney Area
*August 31- Sept. 1	Lawton Divers	All Species Spearfishing	Chrystal Spgs., Lake Ouachita
*Dec. 7-8	E.T. Aquanauts	Jim Clark Mem- orial Gar Rodeo	Curleys Camp, Caddo Lake
*Jan. 11-12/75	Ark-La-Tex	Gar Rodeo	Bistineau

*Council Sanctioned

NOTICE

LAWTON DIVERS CONTEST

CHANGED


JUNE 8-9 to AUGUST 31-SEPT. 1ST

FIRST CALL FOR PAPERS

The Sixth Annual International Conference on Underwater Education sponsored by the National Association of Underwater Instructors are soliciting Papers from all interested authors for presentation at the conference. All accepted papers will be presented at the conference and compiled for further use in underwater education. The authors of the selected papers will be notified by the program committee and will be provided further details as to the program arrangement.

Papers are solicited in any areas related to diving safety and education. Those people presenting papers at the IQ6 are still required to pay the conference registration fee.

Authors interested in presenting papers at IQ6 should first send an abstract, not to exceed 500 words, by July 1, 1974, to Dr. Glen Egstrom, Program Chairman, 3440 Centinela Ave., Los Angeles, CA 90066. Authors will be notified if their papers have been selected by August 1, 1974.



ARK-LA-TEX
Divers
OF
SHREVEPORT, LOUISIANA
A NON-PROFIT CORPORATION

HOME OF THE " OSGAR "

We're represented at

ALL COUNCIL ACTIVITIES

3012 Norman Pl.

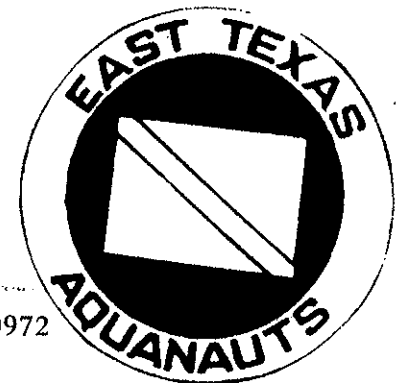
Bossier City, Louisiana

71010



East - Texas - Aquanauts

P. O. Box 7245 - Longview, Texas 75601 - (214) 753-0972



100% Southwest Council Membership
We Meet 2nd Wednesday Each Month At
TIKI Restaurant - Vistors Welcome

NOTICE

SOUTHWEST COUNCIL SANCTIONED DIVE DATE CHANGE

The LAWTON DIVING CLUB announces a change in the date of their dive, "The Annual Oklahoma Catfish Roundup".

The Date of June 8th & 9th was previously announced as the date of our dive.

THE DATE IS BEING CHANGED TO: AUG. 31, & Sept. 1, 1974.

The reason for this change is:
Our dive is to be held at Chrystal Springs, Lake Ouchita, Arkansas. As everyone knows, Game fish are allowed to be taken by Spearfishing, in the amount of one half of the legal limit of line fishermen, in Lake Ouchita. BUT, they are not allowed to be taken from March 15th through June 15, in order to protect the yearly spawn. When we announced our contest date, needless to say, we were not aware of this regulation. we therefore are moving our date to enable the Divers to maybe, shoot a few fish for the pan in addition to the rough fish that we are usually restricted too. Although rough fish and Flathead Catfish will be the only fish that will be weighed in for the contest.

We are terribly sorry if we have inconvenienced anyone by our date change, but we feel that the opportunity to be able to take game fish legally will make up for any inconvenience.

Also, please note, the new date is over the Labor Day weekend, to allow everyone an extra day of spearfishing if they so desire.

Chrystal Springs is located approximately 20 miles West of Hot Springs Arkansas on Highway 270.

CARIBBEAN PRODUCTIONS presents... R. BROOKS FLEIG'S

SCUBA!

IN COLOR!

**...escape to a breathtaking,
true, undersea
experience!**

**...reach out and
touch another
world!**

**NARRATED BY
LLOYD BRIDGES**

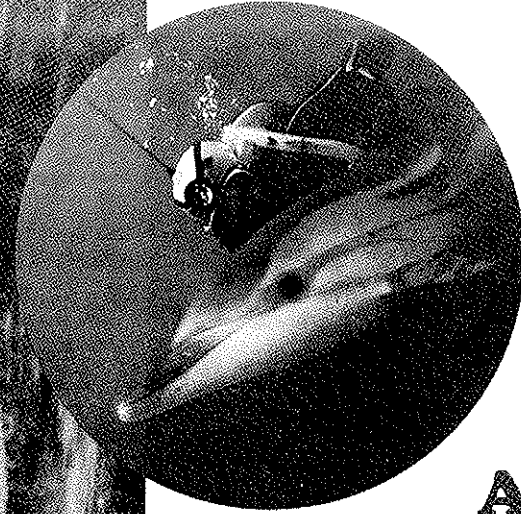
directed by
AMBROSE GAINES III

photography by LAMAR BOREN written by NORMAN WEISSMAN
music by TED ASHFORD • starring KIT FLEIG, BRAD FULLER,
ALICE FLEMING, LEE TURCOTTE, HELEN TURCOTTE

G ALL AGES ADMITTED
GENERAL AUDIENCES

COMING SOON TO A THEATRE NEAR YOU

UDS-I System



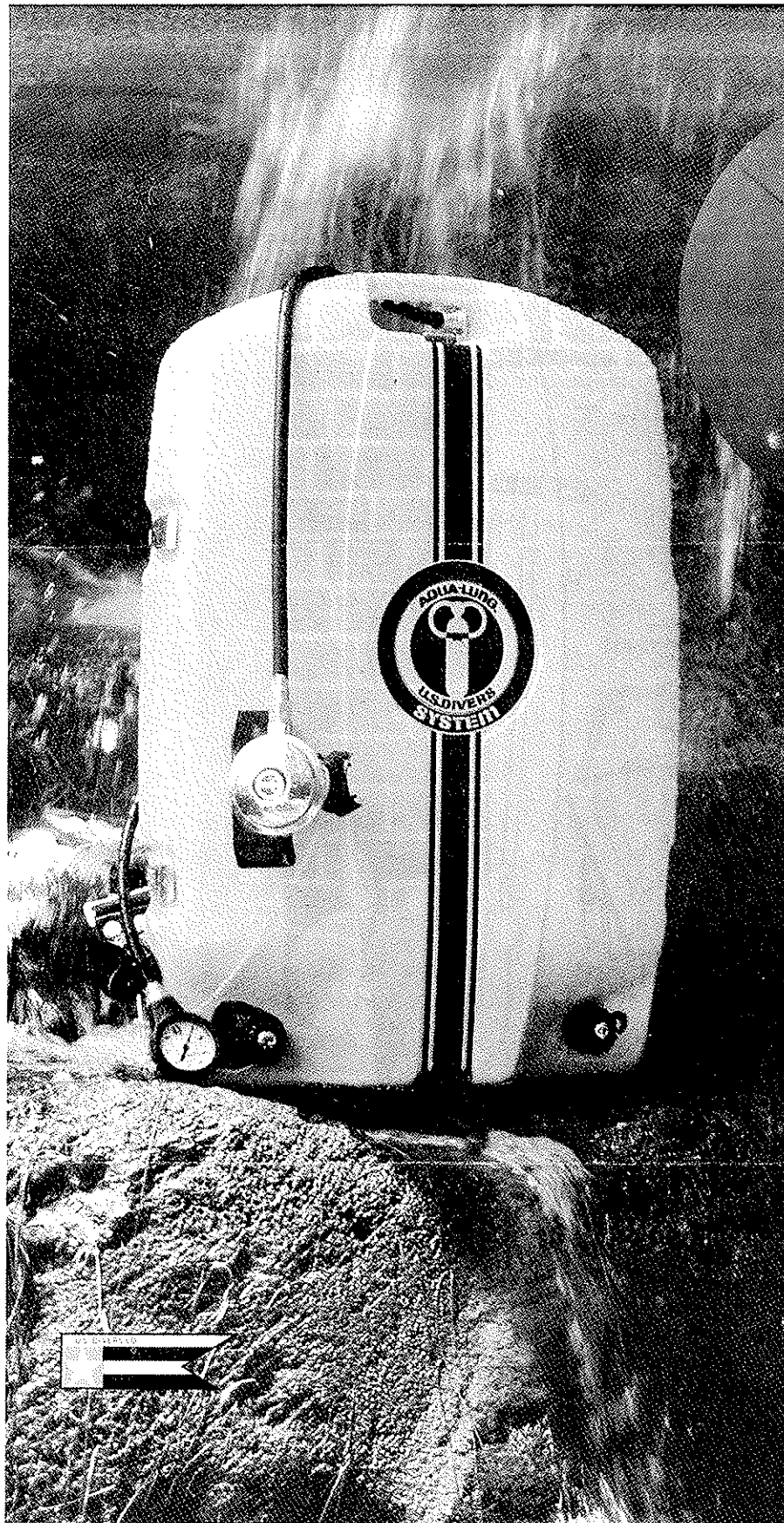
A New Dimension In Diving

U. S. Divers Co. introduces the first totally integrated diving system for the Professional... Patterned after the underwater systems used by the famed Cousteau team, the UDS-I System is designed to meet the exacting demands of the most sophisticated diver... the diver who insists on perfection, quality and top performance. It's the unique, all-in-one Underwater Diving System that will add a dramatic new dimension to your diving experience.

The sleek, streamlined design includes a triple-tank system containing 105 cu. ft. of air at 3,000 p.s.i., contoured bac pac, Aqua-Lung® regulator, Pro Dive 3,500 p.s.i. depth gauge, and a totally new "J" reserve valve mechanism. Complete in one compact unit, the UDS-I System costs no more than separately purchasing the same individual equipment needed for any dive.

The UDS-I System gives you the most in unmatched diving freedom and mobility. Be among the first to explore the new dimension... experience the UDS-I System.

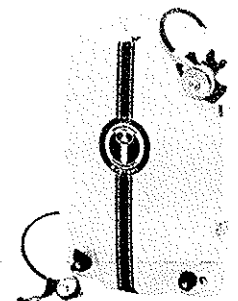
Contact your local Aqua-Lung® Dealer for information. Send \$1.50 for our new 48-page full color catalog to U. S. Divers Co., 3323 West Warner Ave., Santa Ana, Calif. 92702.

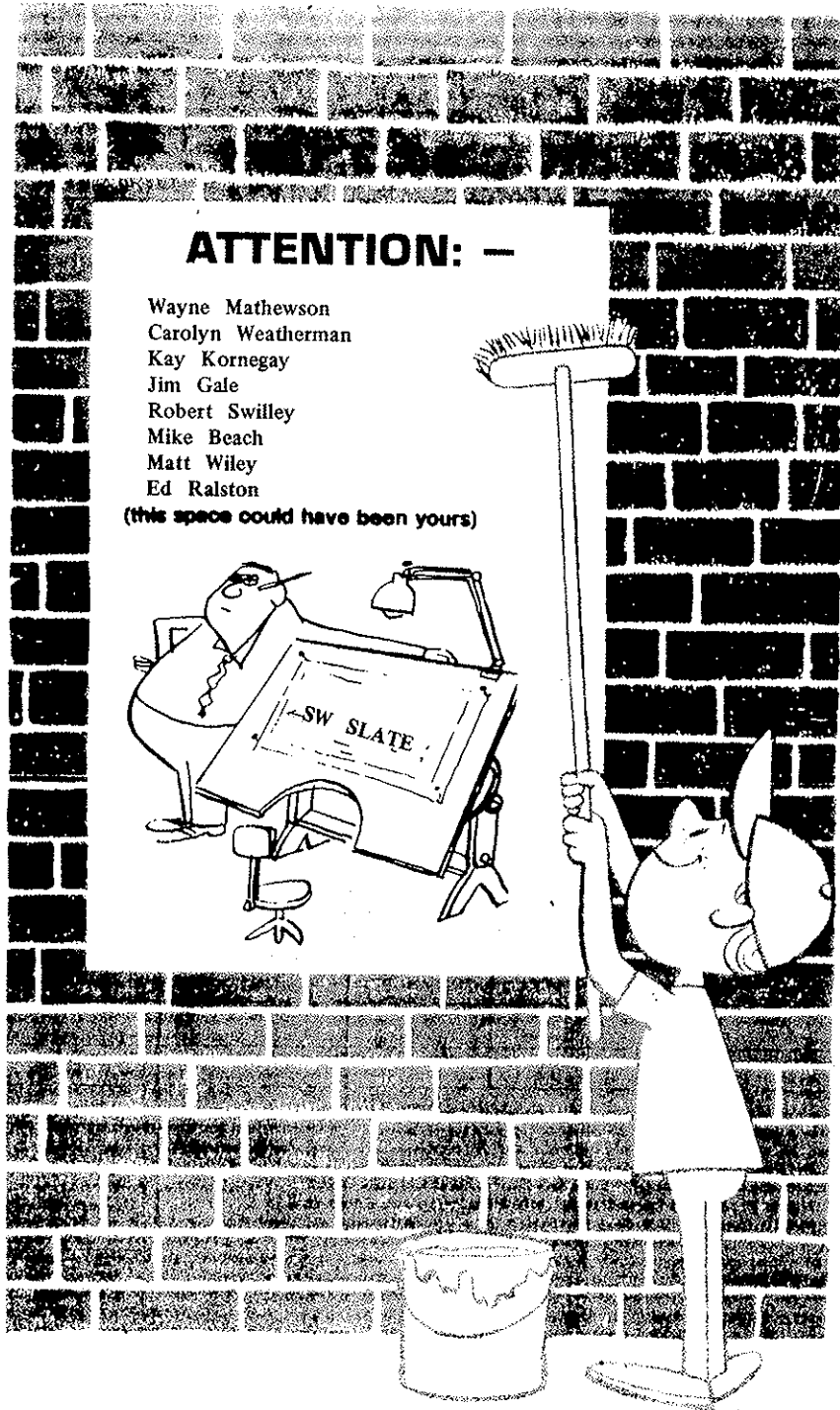


© Copyright U. S. Divers Co. 1973

U.S. DIVERS CO.

Jacques-Yves Cousteau Chairman of the Board





NOTE -- This is the last time we intend to run this page. Everyone has had ample time to record this information.

PROGRAM CLEARINGHOUSE

Gene Gall - "Gallstone Productions" - 7252 Stefani, Dallas, Texas 75225, 214 - 748-9451. Film Titles ("VA Fogg" "Curacao" "Cozumel" and others)

Hank Silver - "Silverflick Productions" - 634 S. Central, Richardson 75080, 214 - 231-6561 (Dallas). Film Titles ("Cozumel" "Glover's Reef British Honduras" "Flowergardens and VA Fogg" "Spearfishing under Gulf Rigs" "Cabo San Lucas")

James P. Mularky - 1119 Green Cove, Richardson, Tex. (241-7721)

Slides show of Wreck diving in the Great Lakes
California coast from San Diego to Los Angeles
Cozumel Mexico

(A very experienced diver who also has stories to tell from all over the globe)

Anita Miller - 950 S. Weatherred Dr, Richardson, Tex. 75080, 214-235-2412
80 - 100 slides on Coral Beach Diving on the Barrier Reef at Belize.

Modern Talking Picture Services, Inc.,
1411 Slocum St., Dallas, Texas 75207

Judy Crouch, 4718 Maple Ave., Dallas,
Texas 75211 (521-9772)

Slides: Cabo San Lucas, Freeport,
Grand Bahama Islands, Nassau, Montego Bay, Cozumel

Boyce Petty, 1509 Bella Vista, Dallas, Tex. 75218 (Movie of Jamaica)

Carolyn Weatherman, 1309 Amherst, Plano, Tex. 75074 (Movie of Jamaica)

Anyone else willing to present a program to area clubs, please send name of program to Dick Wilgus, 804 N. High, Longview, Texas 75601



Classifieds

COUNCIL MEMBERS MAY ADVERTISE

IN THIS SECTION - FREE



*American Airlines Aquajets
Diving Club
4274 Crest Haven*

Each Member A Certified Diver

*We support all activities of
The Southwest Council*

*Meetings last Monday of each month
at DFW Airport*

*President Secretary
Elbert H. Jackson Carolyn Embree*

ZODIAC

First In Inflatables Since 1896

**THE DIVER'S
BEST FRIEND**



ON THE WATER OR UNDER IT, YOU'LL
BE GLAD A ZODIAC BROUGHT YOU...
THEY'RE FAST, SAFE, DEPENDABLE.
NINE EASY-TO-LIVE-WITH MODELS TO
CHOOSE FROM. NOW DIVE WHERE YOU
WANT TO, NOT WHERE YOU HAVE TO!!

For full details and Zodiac literature write

SILVER
MARINE SALES

634 S. Central Expressway
Richardson, Texas 75080
Phone 231-6561



AREA II REPORT

I.D.A. just completed their Buffalo Blast with a record low of 58 divers with beautiful weather compared to last year with snow and 98 divers. Area II placed eleven times. The Scuba Exchange had eight entries six from I.D.A. The gas problem has taken its toll in competition.

Orca Tamers have announced their dive to be at Lake Whitney. I dived there two weeks ago for an hour and saw more fish than I have seen in any lake in a year.

The Orca Tamers were entertained at their last meeting by Bert Smith with a film and a talk on Photography. They also have a group of Wednesday night divers every week for those who may wish to join them.

My apologies to West Side Divers for missing their meeting. West Side Divers are the newest addition to Area II. Their President is Marshall Sherwin, 345 Isbell Ct., Ft. Worth, Texas 76114.

I hope to see all clubs in Area II at Travis in May.

Dennis Corcoran

Area II V.P.

AREA IV REPORT

The Midland Dune Divers held their regular meeting this past Monday. Two items of business were taken up.

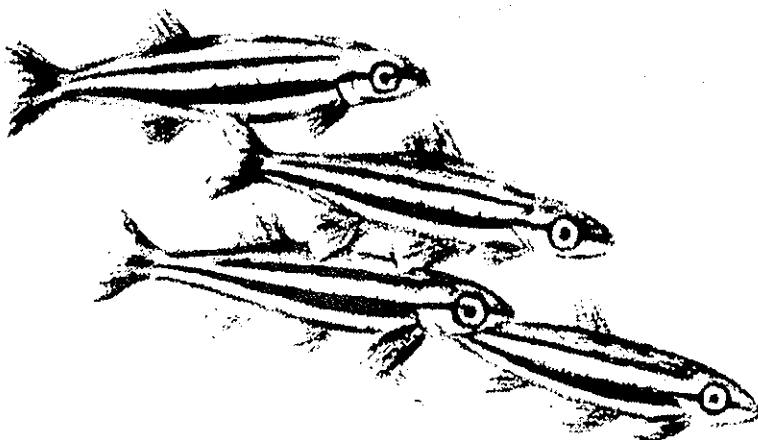
One concerned the "Slate". The club decided to purchase an advertisement in the "Slate" and you should be hearing from the Club secretary about this shortly.

The second item concerned diving at Lake Amistad. As many may not yet know - there is now a dive shop and air station in Del Rio. The name is Del Rio Diving and Salvage, located on Highway 90 West. Thus one of the previous inconveniences of diving at Amistad has been removed - that is a lack of air.

Also, for anyone planning a trip to Amistad for a dive, bring your C-card, buoyancy compensator, and diver down flag. The National Park Service is requiring all three for diving on the Lake. On a recent dive outing, a group of Dune Divers were also asked to pass the word to divers to check in with the National Park Service before diving in the Lake. They want to alert divers to the locations of the areas where underwater fences and steep, loose lake walls present hazards to divers. They also wish to know the general areas where the diving is taking place. This, as explained, was so they may patrol the area to make sure boaters do not violate the diver down flag.

To contact the National Park Service you may call in Del Rio, 775-7491 or call Park Ranger Clay Lee 775-9014 or Hal Timmons 775-9766.

Bill Goetz, Area IV-VP



from the Tackle Shack
Newsletter, Florida

Diver's World

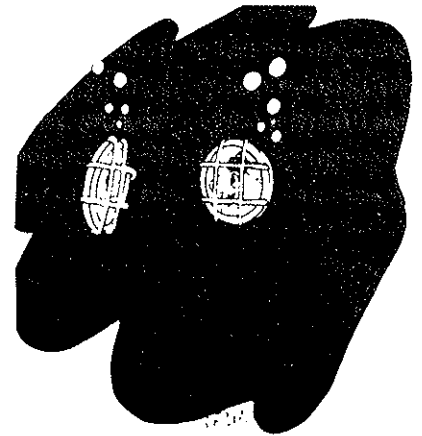
Hank & Al now operate a Pro Dive Shop that, in addition to providing the Metroplex quality products, expert, dependable service, and certified Air-Pro-Rated, Travel all over the world, also supports the Council 100% and is strongly in favor of apple pie and motherhood. Now who can fault a shop like that? So shop your SCUBA NEEDS with US. Both you and we will be glad you did.

Diver's World

623 S. CENTRAL EXPRESSWAY
RICHARDSON, TEXAS 75080

ON THE DALLAS, RICHARDSON BORDER,
SERVING THE METROPLEX.

- NAUI Certified Instruction -



*"They want us to come up 'cause
it's getting too dark up there."*

Scuba Streaker

by Jan Arbogast



Nothing will make a girl's heart weaker
Than to catch a glance of a Scuba Streaker.
They usually don't go completely unclad
Just a mask & snorkel on a naked lad.
So girls if you see this sight go by
On a dark, dark night when there're stars in the sky
Don't look at his mask 'cause you're lookin' too high.



But if you glance in just the right place
I doubt if you'll get a blush on your face
'cause these guys go by at a furious pace.
But it still stands to reason your heart will be weaker
If you catch a glance at a Scuba Streaker.

AREA I REPORT

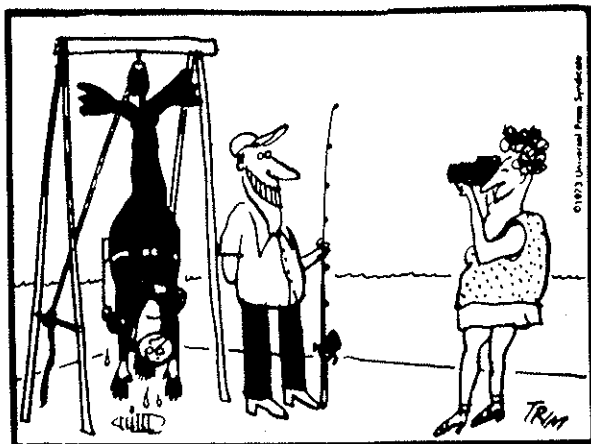
L.H.D.M. Club Members are having an old fashioned Wienie Roast the 18th of May at North Lake. The June outing is still in the process of gathering last minute details. This outing is being planned for Beavers Bend in Oklahoma. The program for the night was a film about the Bahama Island, "The Tongue of the Ocean" loaned to us by the Bahama Island Tourist Agency.

The Texins had a speaker from the Dallas Region Corps of Engineers. Dr. Bill Burriss gave a talk on the "Aquatic Environmental Impact. It was very interesting. The Underwater Safari sponsored by the Texins was exceptionally good. They really got together and put some extra man hours to pull off a great dive! The weather was great and the fish were plentiful. Some of the Texins are leaving on a club trip to Cozumel May 16 for a week of diving.

The Dallas Divers are leaving on a club trip June 15 for Hawaii. So far 10 are going. Some other members are joining the Texins on the trip to Cozumel on the 16th of May. Hank Silver had a successful "Divers World" Shop Opening. Lots of door prizes were given. Al Luxen celebrated a happy 45 year young birthday. The program for the night was Al Gidding's Silent Warrior.

I haven't heard from the Sherman Divers as of yet. Hey out there in Sherman Land, how about dropping me a line.

That's all Folks,
Phillip Rodriguez
Area I V.P.



Palm Beach Post

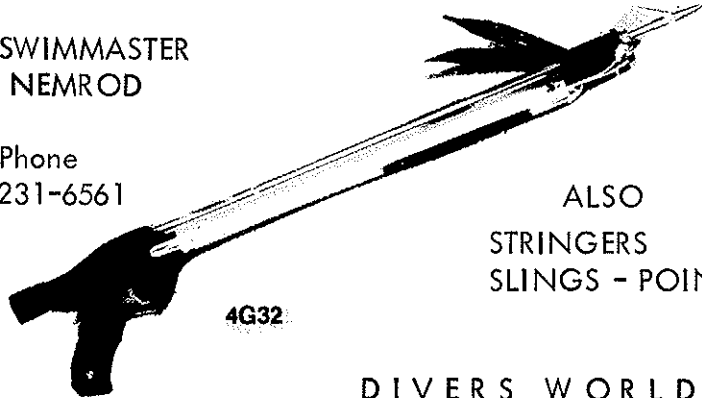




S T R A I G H T S H O O T E R S
G E T T H E I R
S P E A R G U N S A T
D I V E R S W O R L D

SWIMMASTER
NEMROD

Phone
231-6561



ALSO
STRINGERS
SLINGS - POINTS

D I V E R S W O R L D

632 S. Central Expressway, Richardson, Texas



100% MEMBERSHIP
SOUTHWEST COUNCIL
OF DIVING CLUBS

100%
CERTIFIED
DIVERS

MONTHLY MEETING
MONTHLY PROGRAM
MONTHLY OUTINGS

WE ARE A FAMILY CLUB - EVERYONE WELCOME

MEETING THE FIRST THURSDAY OF EACH
MONTH, CURRENTLY AT EL CHICO'S AT
3353 W. NW HWY., DALLAS, TEXAS 7:30pm

FOR INFORMATION CALL AC 214 276-8062

Pat Tiffin
President
3001 Chisholm Trail
Garland, Texas 75042

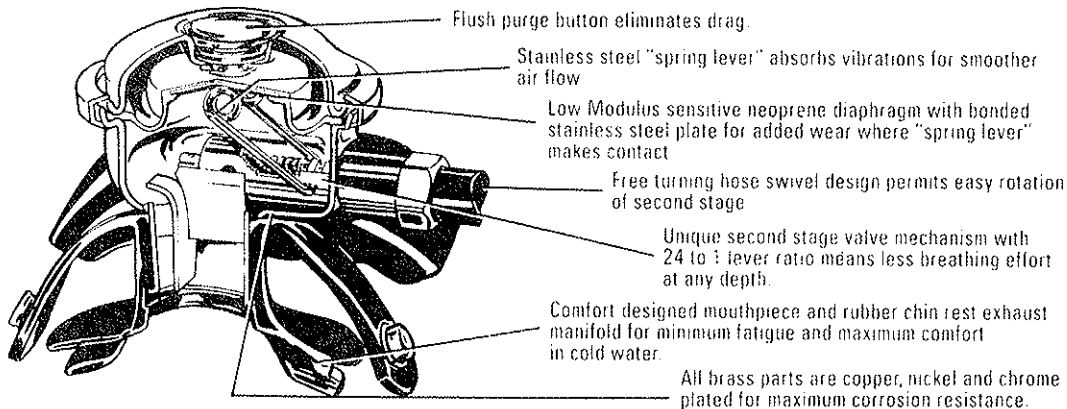
MEMBERSHIPS
AVAILABLE



**IF YOU
DON'T HAVE
A DACOR
OLYMPIC...
YOUR
REGULATOR
IS OUT
OF DATE**



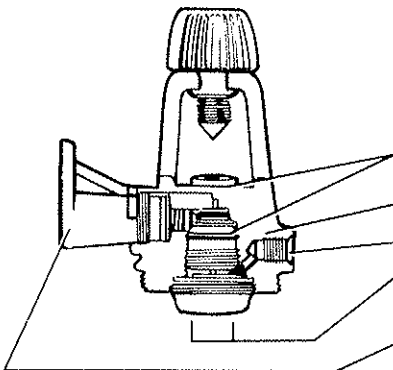
Second Stage—Unique Dual Exhaust Valve System—50% Less Exhalation Effort (All Models)



- Flush purge button eliminates drag.
- Stainless steel "spring lever" absorbs vibrations for smoother air flow
- Low Modulus sensitive neoprene diaphragm with bonded stainless steel plate for added wear where "spring lever" makes contact
- Free turning hose swivel design permits easy rotation of second stage
- Unique second stage valve mechanism with 24 to 1 lever ratio means less breathing effort at any depth.
- Comfort designed mouthpiece and rubber chin rest exhaust manifold for minimum fatigue and maximum comfort in cold water.
- All brass parts are copper, nickel and chrome plated for maximum corrosion resistance.

Balanced First Stage (Models 400 and 800)

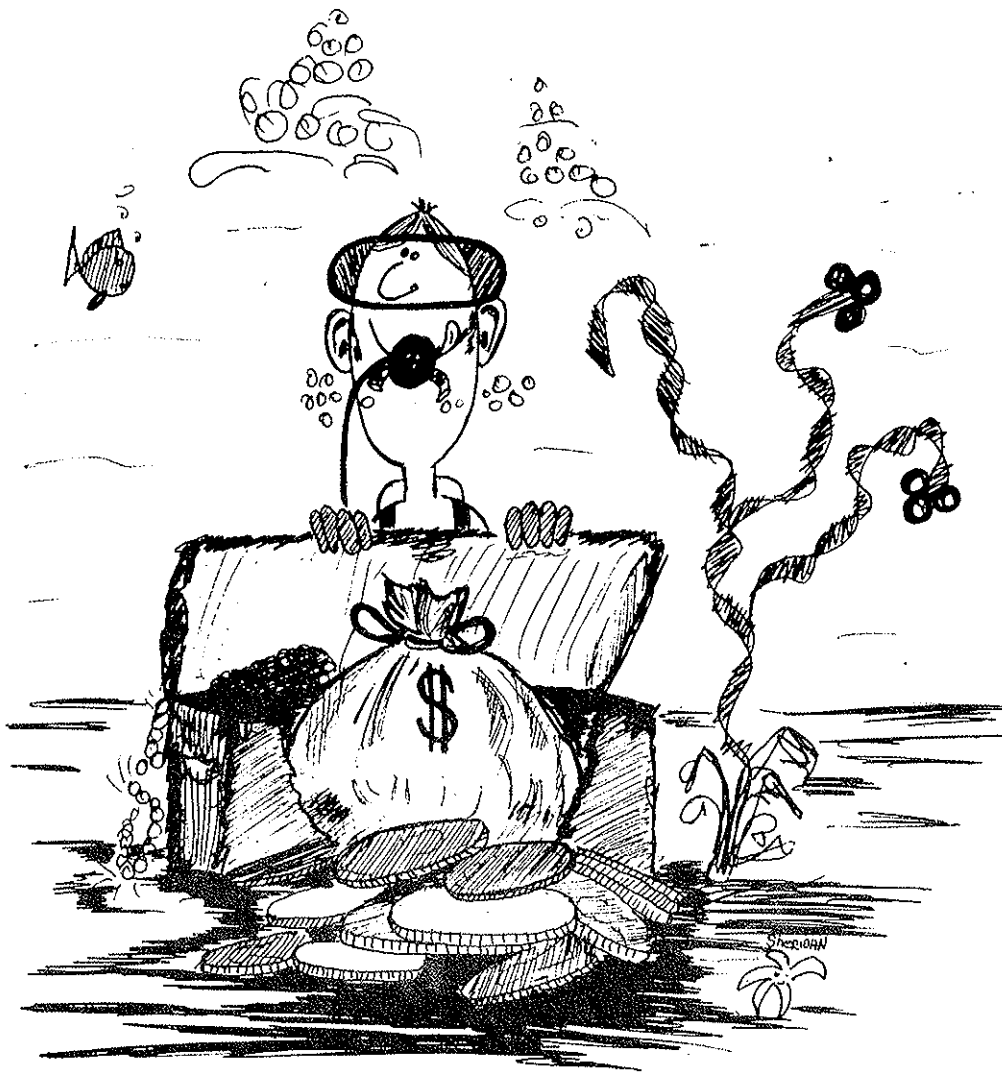
Provides absolute minimum breathing effort and maximum air flow, regardless of tank pressure.



- Dual filtering system traps particles in air down to ten millionths of an inch and prevents these impurities from contaminating the regulator.
- Heavy-duty forging is designed to accommodate higher pressure tank vessels.
- High pressure port for underwater pressure gauge.
- Dual spring for smoother rate, both springs work uniformly to eliminate vibration.
- Modular reserve valve unit is optional on Model 400 and standard on Model 800. Set at 300 P.S.I., has all stainless steel moving parts



DACOR CORPORATION
161 Northfield Road
Northfield, Ill. 60093
Phone: (312) 446-9555
P.O. Box 157
Cable: DIVECOR



SLATE
804 N. High St., Longview, Texas
Address correction request

Bulk Rate U.S.
Postage Paid
Permit #353
A non-profit org.



65117
LEU MCCOLLUM
332K PROVIDENCE
MIDLAND, TEXAS

79701



Arkansas SCUBA Divers Association
**U.S. Freshwater
Spearfishing
Championship**

DATE: Saturday, June 15th, and Sunday, June 16th, 1974

PLACE: Crystal Springs Boat Dock on Lake Ouachita (Fifteen miles west of Hot Springs, Arkansas, on Highway 270)

TIME: The contest will run from 8:00 A.M. Saturday, until 5:00 P.M. and Sunday from 8:00 A.M. until 3:00 P.M. Prizes will be awarded Sunday at 3:30 P.M.

PRIZES: Trophies and prizes will be awarded for each of the following categories: Largest Bass, Largest Catfish, Largest Crappie, Largest Walleye, Largest Gar, Largest Rough Fish (other than gar), and First and Second Places overall based on a point system which is explained on opposite side of this sheet. Special prizes and Door prizes will also be awarded. Listed below are the prizes that will be awarded for each category.

LARGEST BASS	Dacor 200 regulator
LARGEST CATFISH	Cronel Dive Watch
LARGEST CRAPPIE	Sportsways Sea Spear
LARGEST WALLEYE	Nemrod Mini Clipper pneumatic speargun
LARGEST GAR	Cronel Dive Watch
LARGEST ROUGH FISH	Healthways Scubair regulator
FIRST PLACE	Gator diver propulsion vehicle
SECOND PLACE	To be announced

ENTRY FEE: Five dollars in advance if postmarked before June 8th, 1974, or \$7.50 at dive site.

MOTEL RESERVATIONS: Can be made in advance by filling out bottom of entry blank

CAMPING FACILITIES: Crystal Springs has several excellent primitive camping areas (no electrical or water hookups)

AIR AVAILABILITY: Two compressors will be set up near the boat dock to sell air at \$2.00 per tank.

- RULES:**
1. No powerheads or shark darts
 2. Each contestant must check in each morning at a designated check-point before diving that day
 3. Each contestant must possess a fish stringer
 4. No nets, fishing gear or other means of taking fish other than speargun may be in any contestant's boat. Roving patrols will check boats.
 5. All fish entered in contest go to the Hillcrest Childrens' Home
 6. No fish with white gills (spoiled) will be weighed in.
 7. No fish that are not in the weigh-in line by 5:00 P.M. Saturday or 3:00 P.M. Sunday will be counted.
 8. All contestants must possess a valid Arkansas fishing license and abide by the rules of the Arkansas Game and Fish Commission which will be posted at the registration point, and the rules set down by the Arkansas Scuba Divers Association
 9. Failure to comply with any of the above rules will result in disqualification.

POINT SYSTEM: The largest fish in each of the six categories (bass, catfish, gar, etc.) will be assigned a value of five points. Second largest in each category will receive four points, third largest is worth three points, fourth largest, two points and fifth largest one point. The diver with the most points will be awarded the diver propulsion vehicle and trophy. In case of a tie, the scale will be progressed to sixth, seventh, etc. largest in each category until the tie is broken.

IN THE INTEREST OF DIVING SAFETY, ALL CONTESTANTS WILL BE REQUIRED TO WEAR A SAFETY VEST OR WETSUIT.

 APPLICATION FORM

NAME _____ ADDRESS _____
 CITY _____ STATE _____ ZIP _____
 CERTIFICATION OR YEARS DIVING EXPERIENCE _____
 I WISH TO HAVE MOTEL RERVATIONS _____ NUMBER IN PARTY _____

ALL ADVANCE RESERVATIONS WILL BE CONFIRMED
 BY RETURN MAIL.

Mail this form with a check or money order for five dollars to:
 Arkansas Scuba Divers Association, P.O. Box 391, North Little
 Rock, Ar., 72115